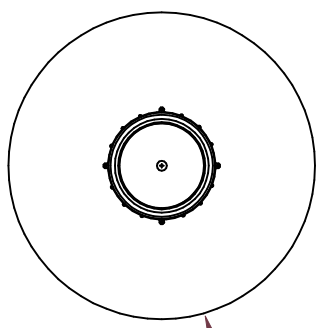
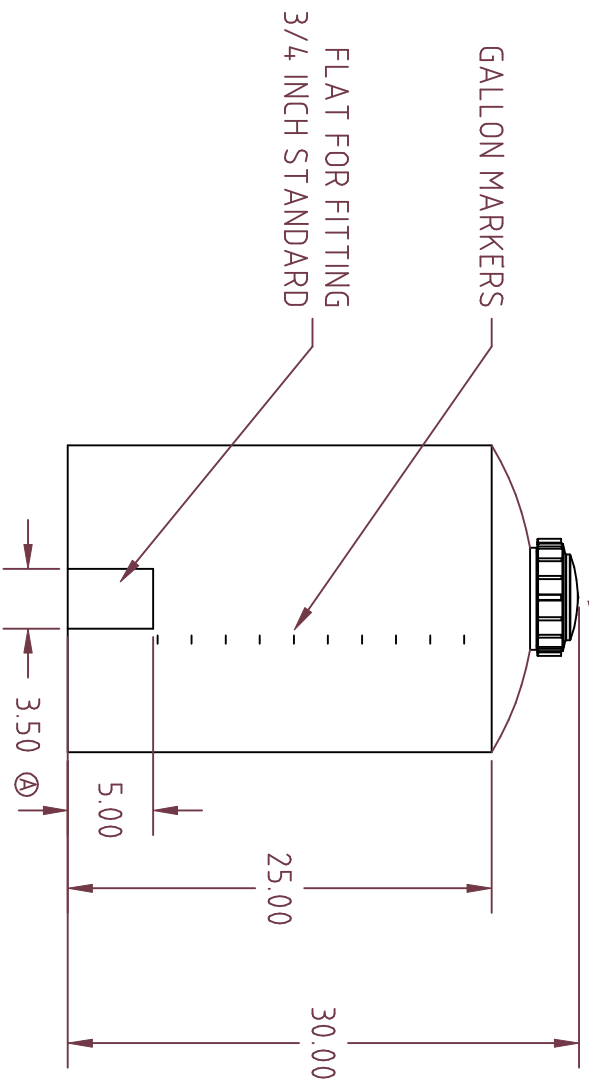


Copyright. All information furnished within this document, electronic file or design correspondence is the property of Den Hartog Industries, Inc. and shall not be used, disclosed to others or copied without the expressed written consent of Den Hartog Industries, Inc.



ϕ18.00

5 INCH VENTED LID



REV		DESCRIPTION		DATE APPRD.		DRAWN / DATE		MATERIAL / SHOT WEIGHT		CLIENT / DESCRIPTION	
A		FLAT DIMENSIONS ADDED CCN 1701		ADH 8/8/08		DHJ 1/15/04		HDPE / 12 LBS.		Ace Roto-Mold A DIVISION OF DEN HARTOG INDUSTRIES, INC. 4010 HOSPERS DRIVE S., BOX 425, HOSPERS, IOWA 51238	
REV		DESCRIPTION		DATE APPRD.		DRAWN / DATE		MATERIAL / SHOT WEIGHT		CLIENT / DESCRIPTION	
A		FLAT DIMENSIONS ADDED CCN 1701		ADH 8/8/08		DHJ 1/15/04		HDPE / 12 LBS.		Ace Roto-Mold A DIVISION OF DEN HARTOG INDUSTRIES, INC. 4010 HOSPERS DRIVE S., BOX 425, HOSPERS, IOWA 51238	
REV		DESCRIPTION		DATE APPRD.		DRAWN / DATE		MATERIAL / SHOT WEIGHT		CLIENT / DESCRIPTION	
A		FLAT DIMENSIONS ADDED CCN 1701		ADH 8/8/08		DHJ 1/15/04		HDPE / 12 LBS.		Ace Roto-Mold A DIVISION OF DEN HARTOG INDUSTRIES, INC. 4010 HOSPERS DRIVE S., BOX 425, HOSPERS, IOWA 51238	

ALL DIMENSIONS ARE IN DECIMAL INCHES
TOLERANCES UNLESS OTHERWISE SPECIFIED

± 1% @ 68° F



THIRD ANGLE PROJECTION
ANSI 14.5M

- NOTES:
- 1. NOM. WALL .180
 - 2. BLACK, WHITE, OR YELLOW COLOR

SCALE NONE

PART NO. VT0025-18

25 GALLON VERTICAL TANK